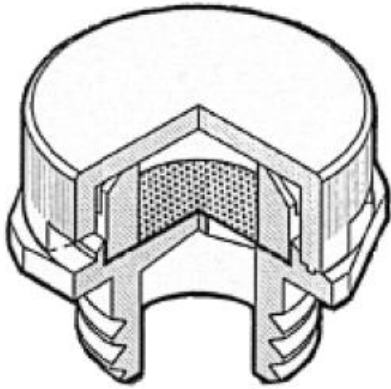


Ventilation Plug

Polyamide 6, M12x1, M12x1.5



- Rugged plastic design
- High air flow rate
- Protection classes IP66, IP68
- Working temperature -40°C up to 105°C
- Colour: light grey
- Material: Polyamide 6, 30% fibre reinforced
- Hexagonal locknut for M12x1.5 (part no. BML-1S)

Corrugated and welded Polyamide 6 cover:

- Allows easy and stable mounting

NBR O-ring:

- Ensures sealing between enclosure and BVP

Polyamide 6 body:

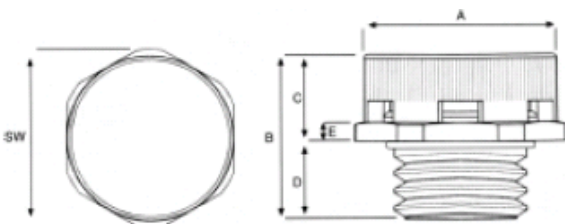
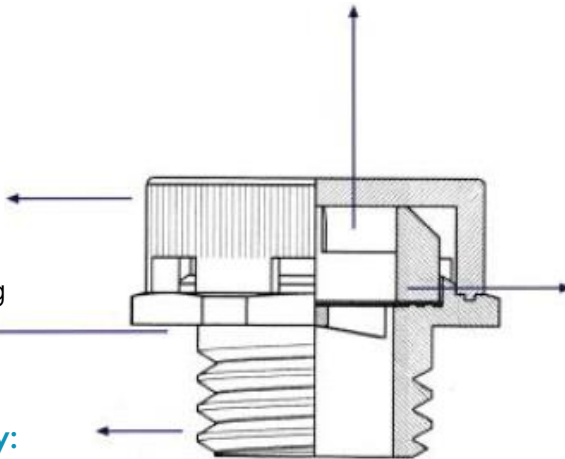
- Produced with M12x1 or M12x1.5 thread. For thin walled enclosures standard Polyamide 6 M12x1.5 locknuts can be used

Pressure ring:

- Centralises and fixes the membrane to the body. Also protects the membrane from possible external damage

Membrane Characteristics:

- The product provides a high air flow rate
- Pressure compensation seals and equalises the internal pressure of enclosures and simultaneously prevents entry of water
- Oil repellent
- Air permeable and water proof in both directions
- Consists of copolymer on acrylic base
- Active membrane area in BVP is 0.5cm²
- A fine tuning of permeability corresponding to required values can be achieved by correct choice of membrane type
- **Surface of membrane has to be vertical during application (as much as possible). Horizontal applications are not recommended**



TYPE	CODE	COLOUR	A mm	B mm	C mm	D mm	E mm	SW mm
M12x1	BVPA-11	L-GREY	17	14	7.4	6.6	1.6	17
M12x1.5	BVPB-11	L-GREY	17	14	7.4	6.6	1.6	17